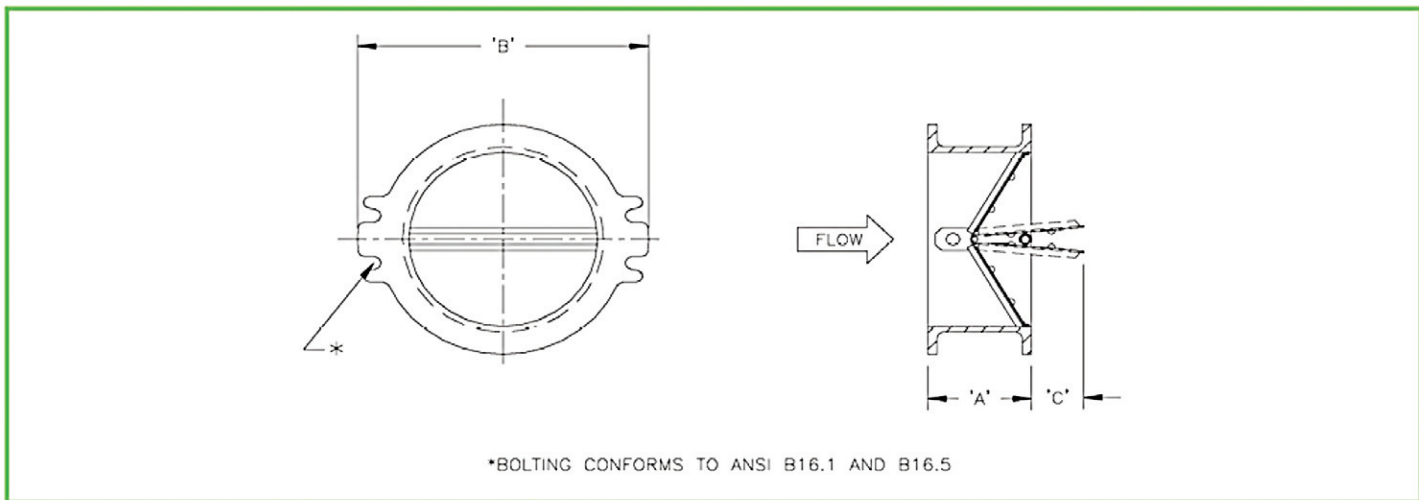


**WAFER STYLE 125# CLASS**



**SPECIFICATIONS**

SIZE [mm]	Model No.	A [mm]	B [mm]	C [mm]	Weight -lbs. [Kg.]	Cv [l/m]
2" [50]	-518	1-3/8" [34.9]	4-1/4" [108.0]	1/2" [12.7]	4 [1.8]	160 [606]
3" [80]	-518	1-7/8" [47.6]	6" [152.4]	3/4" [19.0]	10 [4.5]	620 [2346]
4" [100]	-518	2-3/8" [60.3]	7-1/2" [190.5]	7/8" [22.2]	12 [5.5]	965 [3652]
5" [125]	-518	2-7/8" [73.0]	9" [228.6]	1-1/4" [31.8]	15 [6.8]	1510 [5716]
6" [150]	-518	3-3/8" [85.7]	10-1/2" [266.7]	1-1/2" [38.1]	25 [11.4]	3025 [11448]
8" [200]	-518	4-3/8" [111.1]	13" [330.2]	2" [50.8]	45 [20.4]	5195 [19661]
10" [250]	-518	5-3/8" [136.5]	14-7/8" [377.8]	2-5/8" [66.7]	70 [31.8]	7345 [27804]
12" [300]	-518	6-3/8" [161.9]	17-1/2" [444.5]	3" [76.2]	120 [54.5]	9450 [35772]

Note: Maximum Working Pressure is 200 psi at 150 °F

Note: Dimensions subject to change. Request certified drawings.

**Consult Factory for Sizes, Materials, Pressure Ratings and Combination End Configurations Not Shown**

**AVAILABLE MATERIALS**

BODY		INTERNALS	
-1	Carbon Steel	2	316 S/S Steel
-2	316 S/S Steel	3	Aluminum
-3	Aluminum		
-4	Cast Iron		

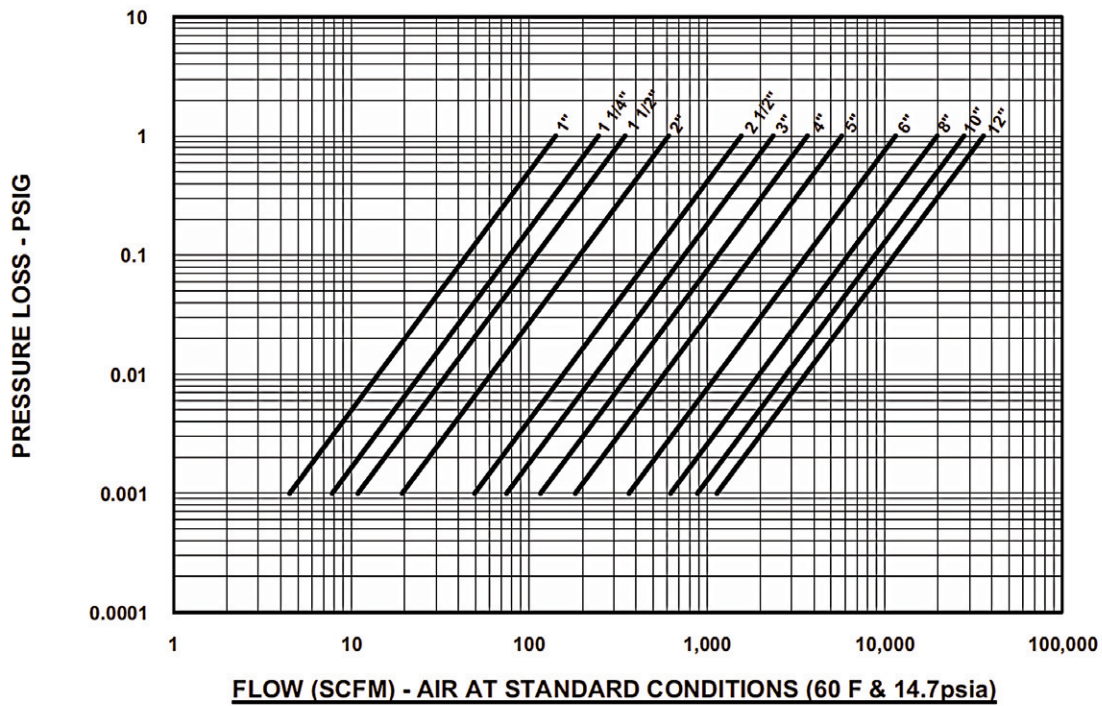
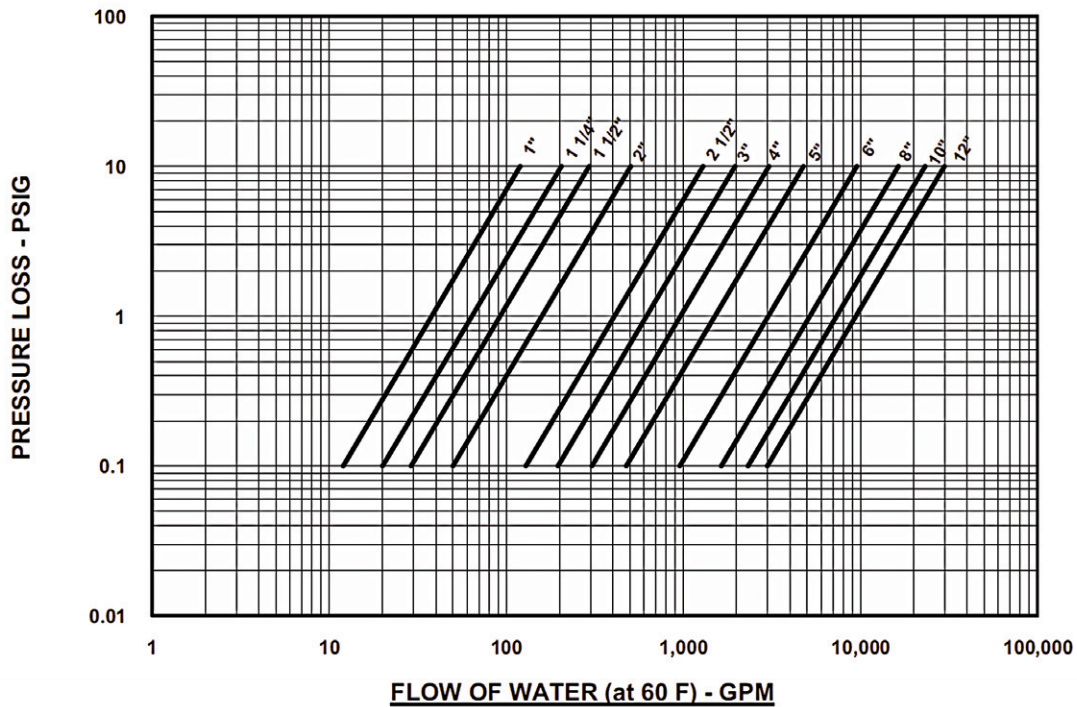
Standard hardware is Aluminum  
Standard seal material is Buna-N

Seals		Options	
1	Buna-N	0	No Spring
2	EPDM	1	S/S Spring
3	Silicone	2	Special
4	Viton		

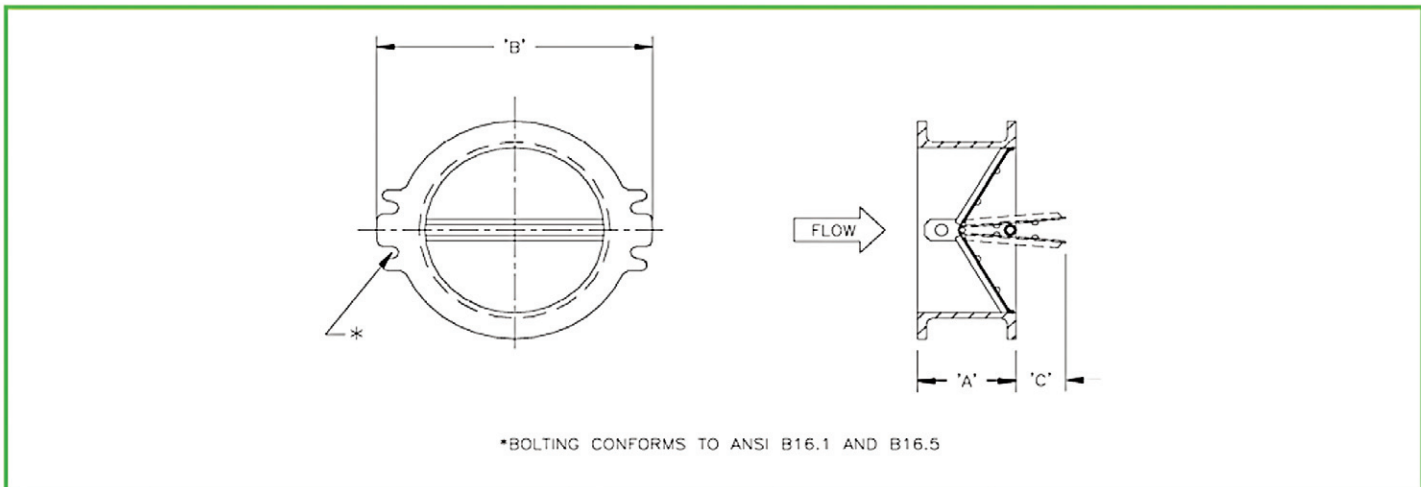
(1) See general catalog for temperature limitations

**PRESSURE LOSS CHARTS**  
**WATER AND AIR APPLICATIONS**

[SEE TECHNICAL SECTION FOR OTHER LIQUIDS AND GASES]



**WAFER STYLE CLASS 125#**



SPECIFICATIONS						
SIZE [mm]	MODEL NO.	A [mm]	B [mm]	C [mm]	Weight -lbs. [Kg.]	Cv [l/m]
14" [356]	-518	7.375 [187]	21 [533]	3 3/8" [86]	175 [79]	13420 [50728]
16" [406]	-518	8.375 [213]	23.5 [597]	3 15/16" [100]	220 [99]	15910 [60226]
18" [457]	-518	9.375 [238]	25 [635]	4 1/2" [114]	260 [117]	18750 [70976]
20" [508]	-518	10.375 [264]	27.5 [699]	5 1/4" [133]	320 [144]	29680 [112190]
24" [610]	-518	12.375 [314]	32 [813]	6 1/4" [159]	410 [185]	40950 [154791]

Note: Dimensions subject to change. Request certified drawings.

\*Outside diameter conforms to ANSI B16.1 and 16.5 flange dimensions as a wafer style assembly.

Note: Maximum Working Pressure is 200 psi at 150°F

AVAILABLE MATERIALS			
BODY		INTERNALS	
-1	Carbon Steel	2	316 S/S Steel
-2	316 S/S Steel	3	Aluminum
-3	Aluminum		
-4	Cast Iron		

Standard hardware is aluminum  
Standard seal material is Buna-N

Seals		Options	
1	Buna-N	0	No Spring
2	EPDM	1	S/S Spring
3	Silicone	2	Special
4	Viton		

(1) See general catalog for temperature limitations

Consult Factory for Sizes, Materials, Pressure Ratings and Combination End Configurations Not Shown

**PRESSURE LOSS CHARTS**  
**WATER AND AIR APPLICATIONS**

[SEE TECHNICAL SECTION FOR OTHER LIQUIDS AND GASES]

